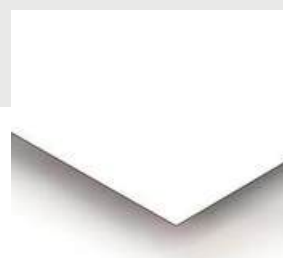
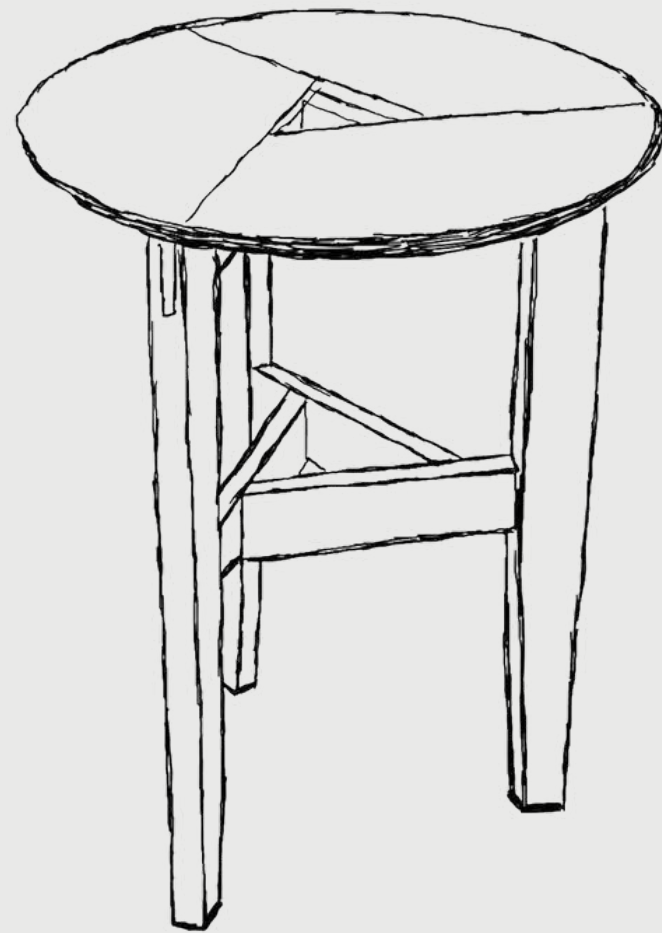


TRIANGULAR SIDE TABLE

Erasmus+
Enriching lives, opening minds.

Kofinanziert von der
Europäischen Union

OVERVIEW



TRIANGULAR SIDE TABLE

CONSTRUCTION

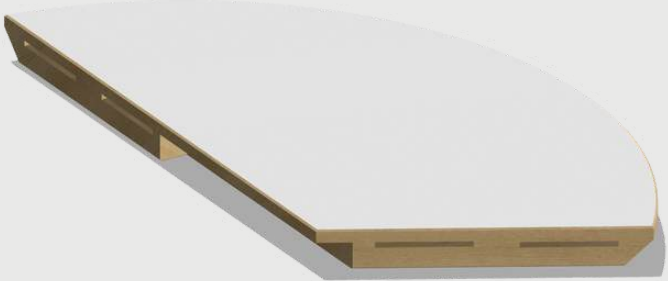
TABLE LEG



UPPER FRAME



LOWER FRAME



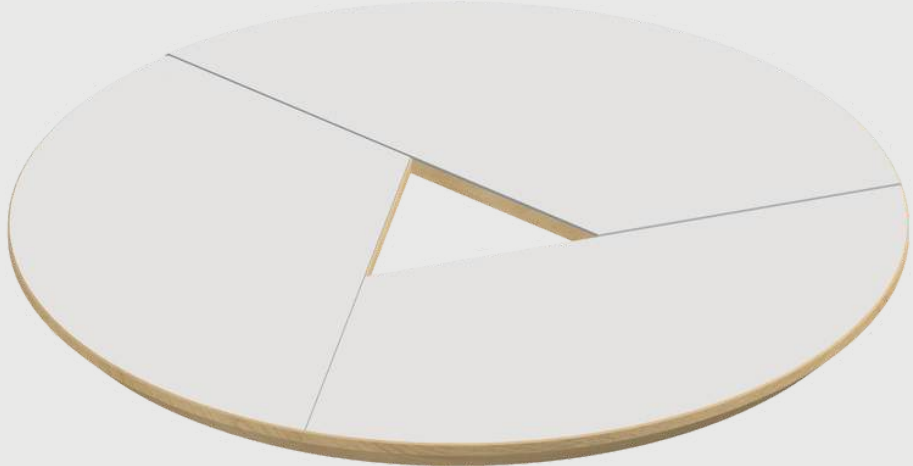
TOP PLATE



UPPER TRIANGULAR FRAME

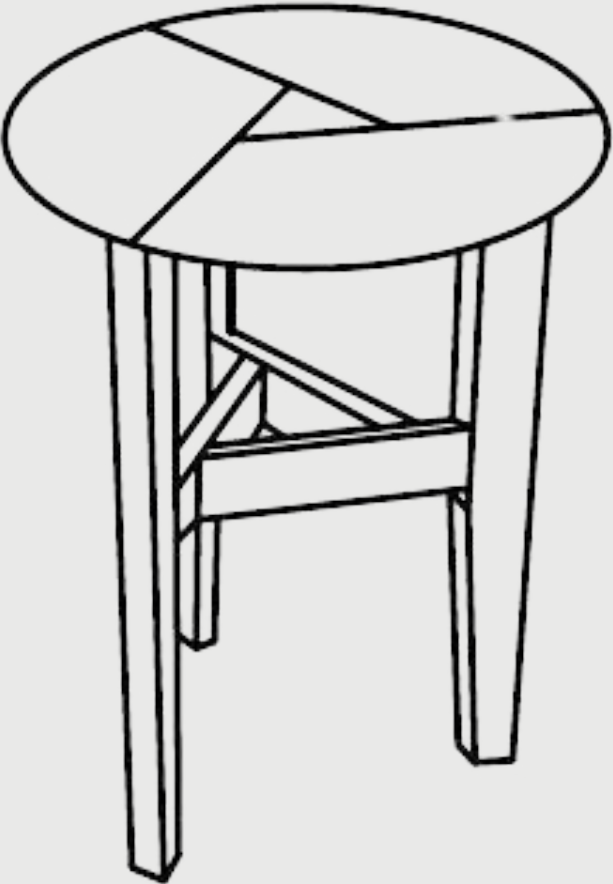
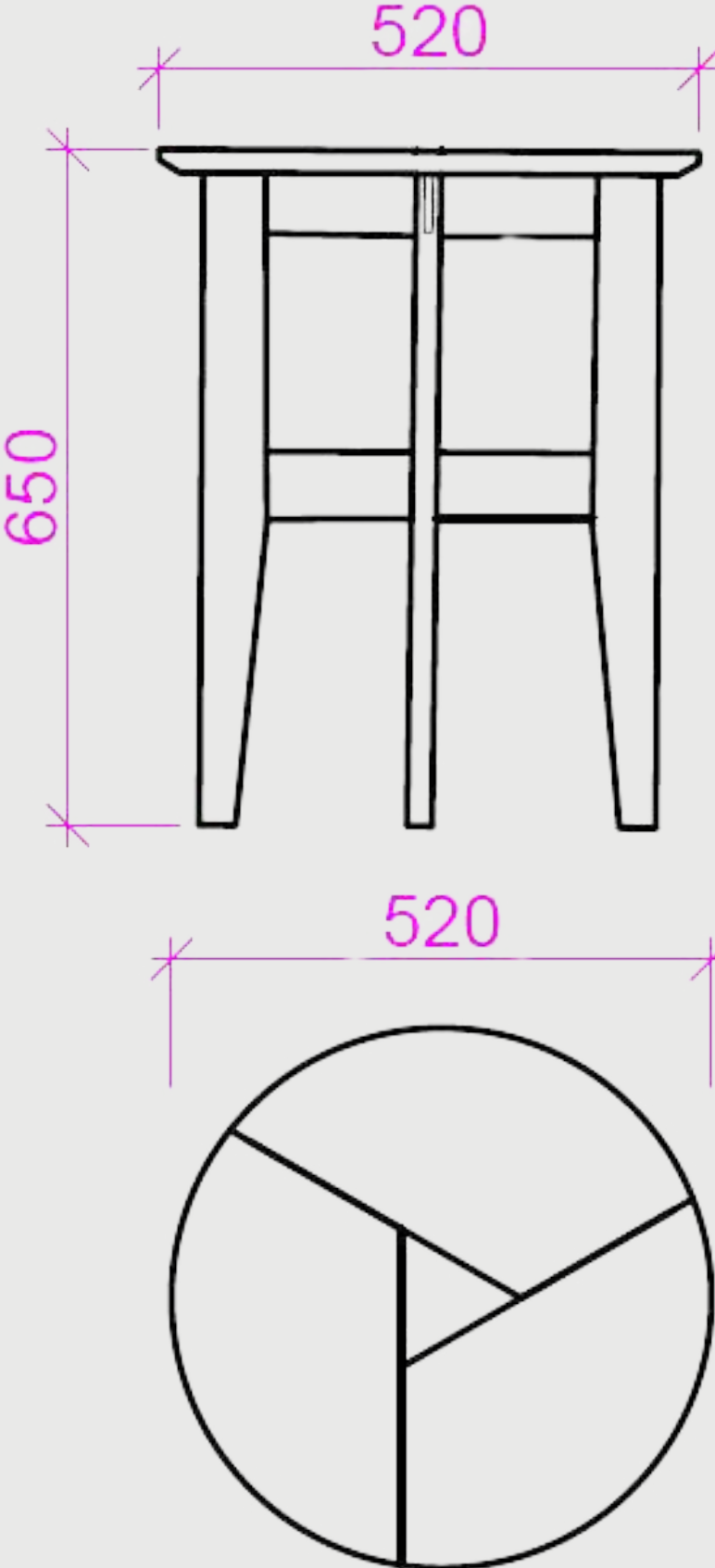


LOWER TRIANGULAR FRAME



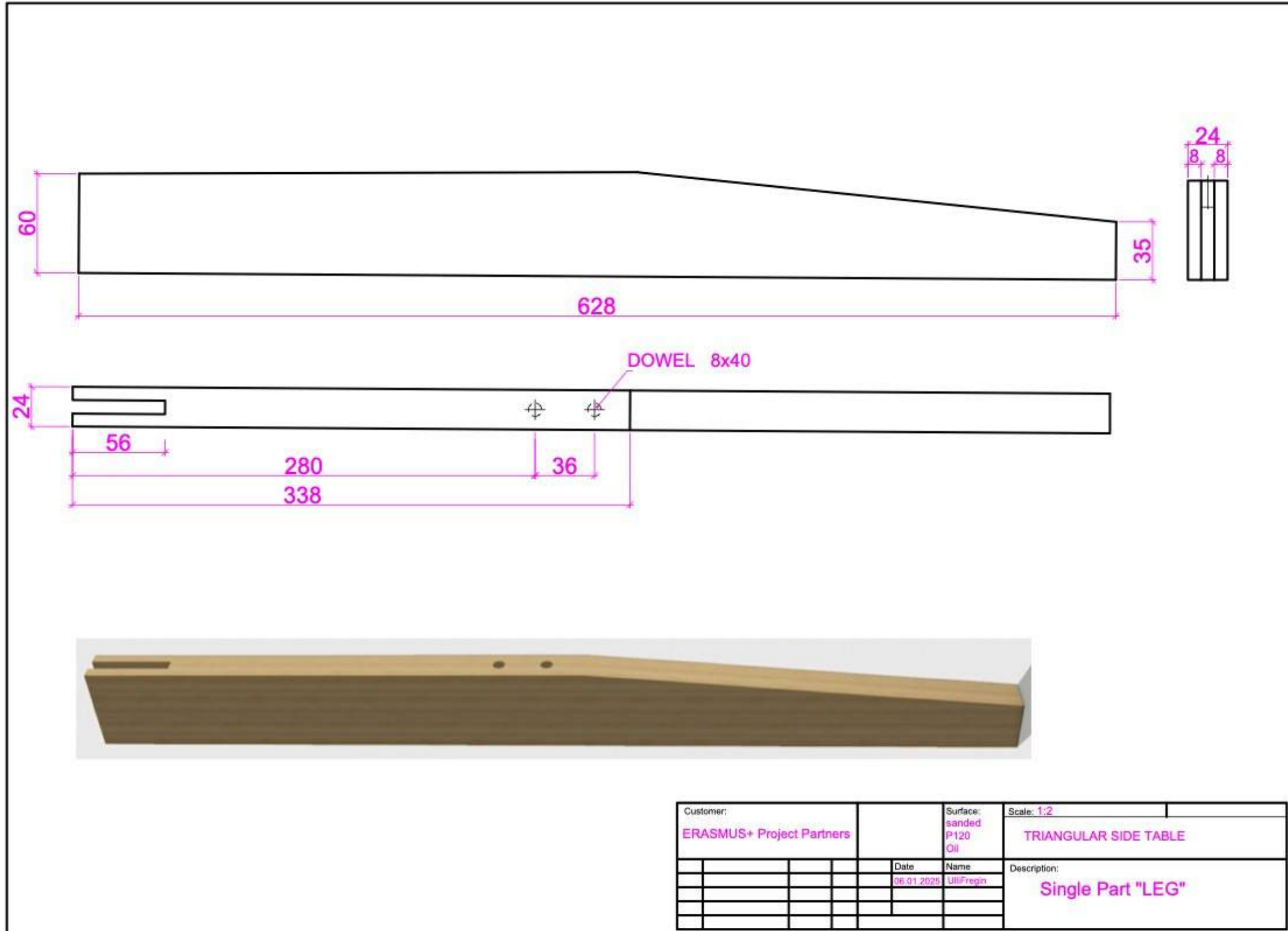
TRIANGULAR SIDE TABLE

MAIN DRAWING



TRIANGULAR SIDE TABLE

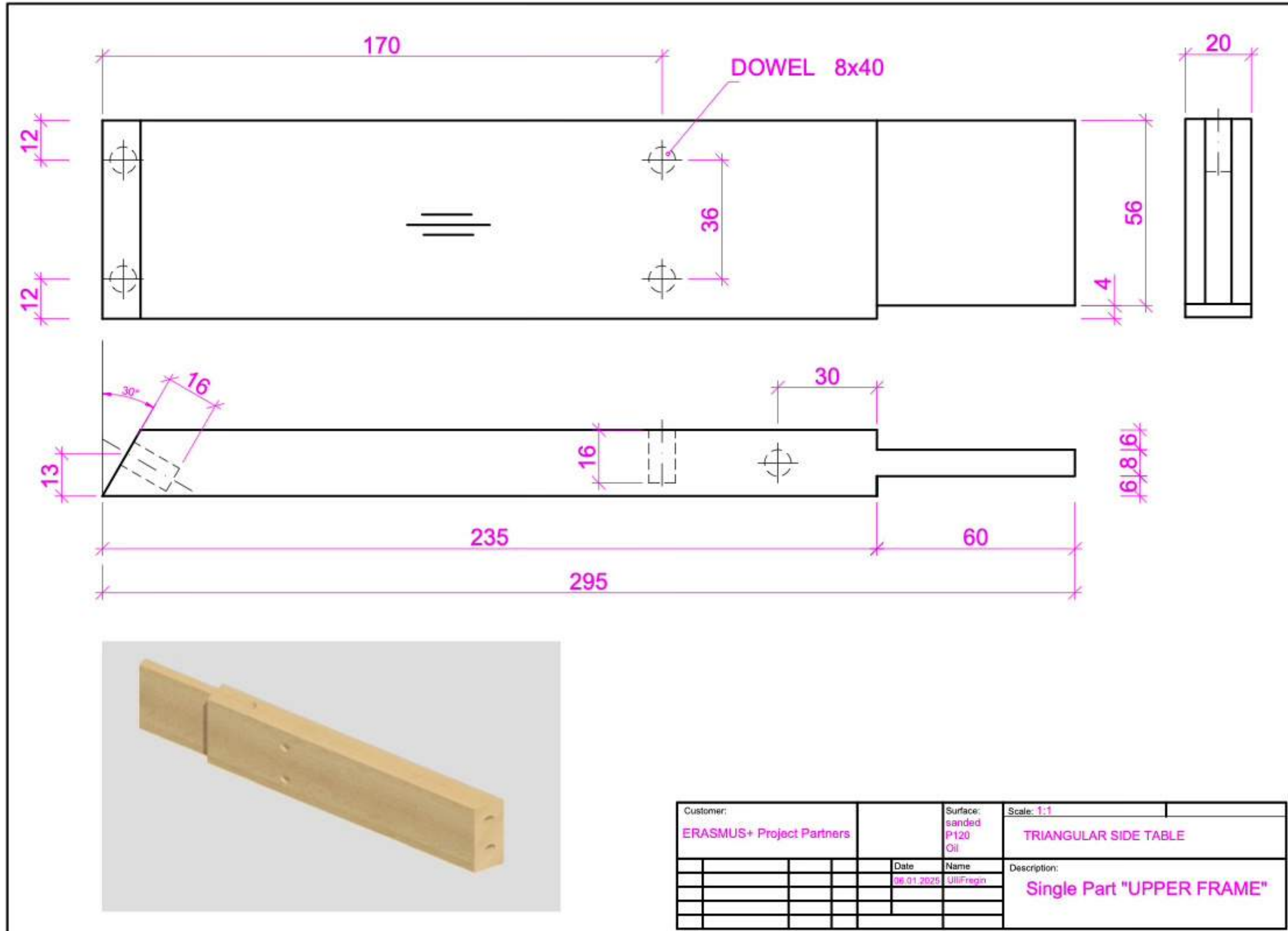
LEG



Customer:		Surface:	Scale: 1:2
ERASMUS+ Project Partners		sanded P120 Oil	TRIANGULAR SIDE TABLE
		Date:	Description:
		06.01.2025	Single Part "LEG"
		Name:	
		Ullifregin	

TRIANGULAR SIDE TABLE

UPPER FRAME



TRIANGULAR SIDE TABLE

LOWER FRAME

170

12

12

DOWEL 8x40

20

12

12

10

30°

16

13

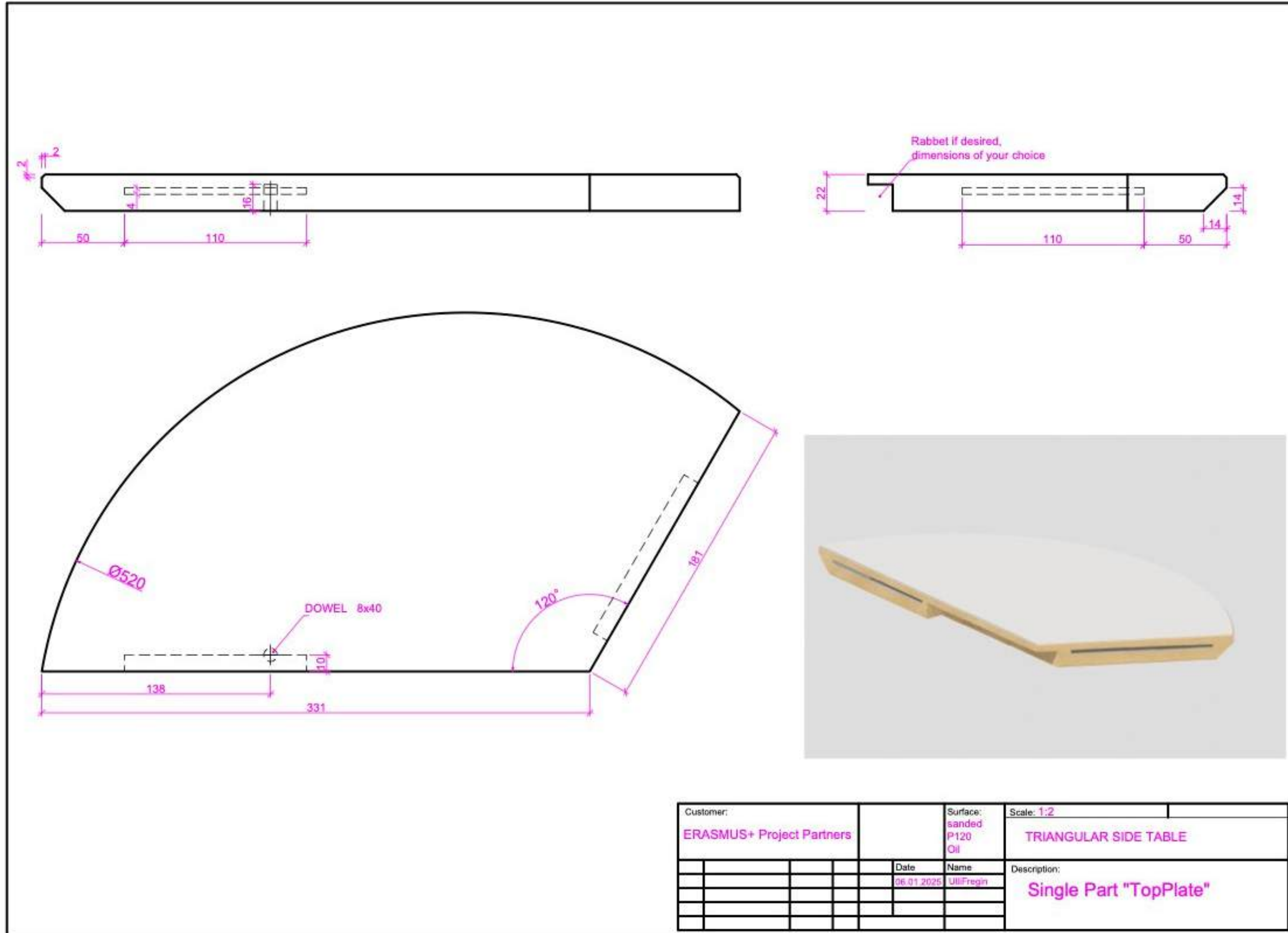
16

235

Customer:		Surface:		Scale: 1:1	
ERASMUS+ Project Partners		sanded P120 Oil		TRIANGULAR SIDE TABLE	
	Date	Name		Description:	
	06.01.2025	UllFregin		Single Part "UPPER FRAME"	

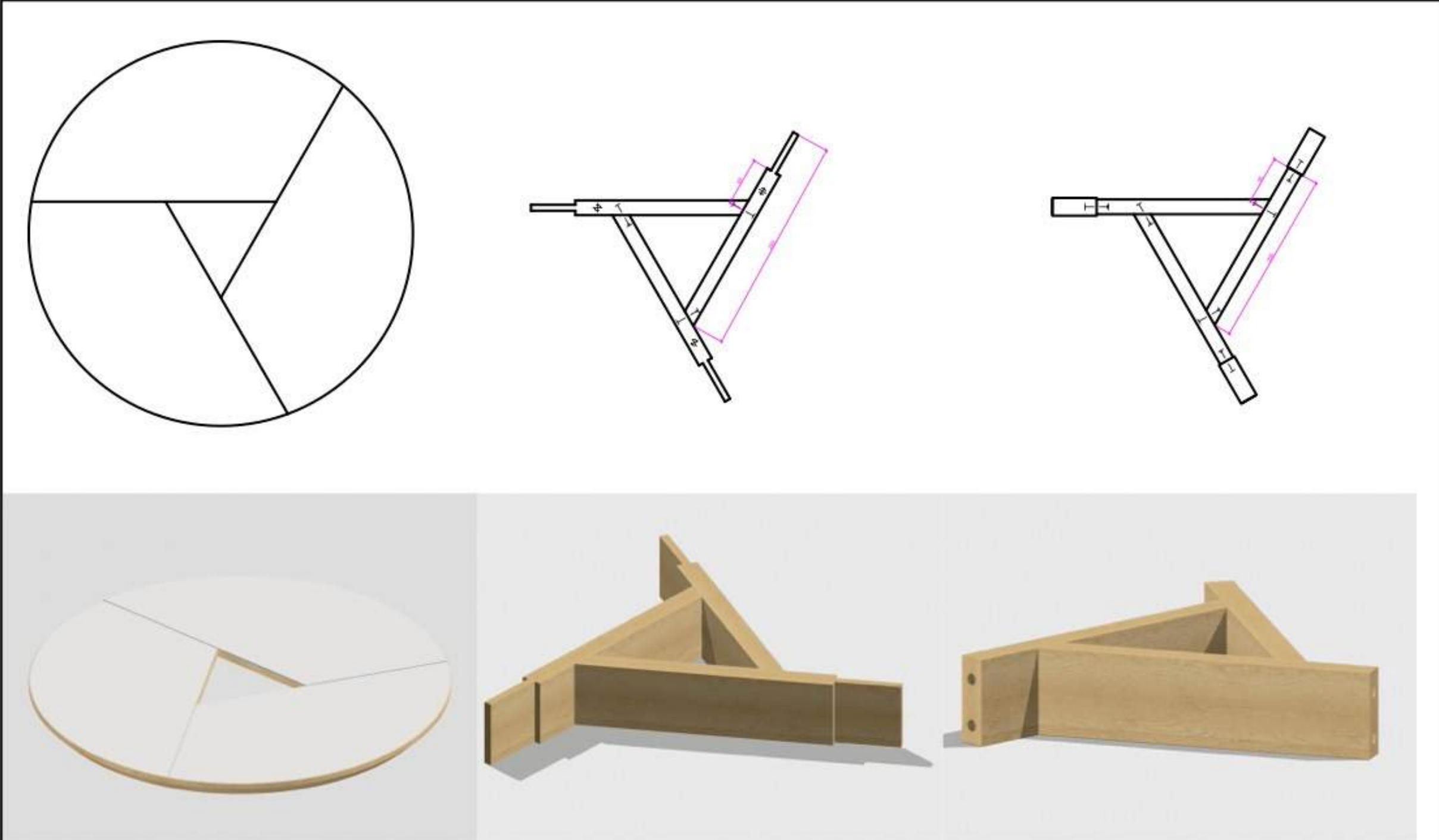
TRIANGULAR SIDE TABLE

TOP PLATE



TRIANGULAR SIDE TABLE

OVERVIEW



Customer:		Surface:		Scale: 1:5	
ERASMUS+ Project Partners		sanded P120 Oil		TRIANGULAR SIDE TABLE	
		Date	Name	Description:	
		06.01.2025	UlliFregin	Overview	